



**Electrolux**  
PROFESSIONAL

**Modular Cooking Range Line  
900XP Worktop with 1/1 GN well,  
400 mm**

ITEM # \_\_\_\_\_

MODEL # \_\_\_\_\_

NAME # \_\_\_\_\_

SIS # \_\_\_\_\_

AIA # \_\_\_\_\_



391312 (9SUNDQ00Q)

Ambient WorkTop with 1/1GN well, 1/2 module

**Short Form Specification**

Item No. \_\_\_\_\_

930mm deep unit with 1,5mm thick AISI 304 stainless steel worktop and exterior panels in Stainless Steel with Scotch Brite finishing.

AISI 304 well, 1mm-thick and 150mm deep with GN 1/1 dimensions. Features tap with hot and cold water knobs and right-angled side edges to allow flush fitting joints between units, eliminating gaps and possible dirt traps.

**Main Features**

- Well with GN1/1 dimension, 150mm deep.
- Can be installed on neutral base, refrigerated base, cantilever and bridge installation.
- Suitable for countertop installation.
- Tap with water column and knobs.

**Construction**

- Model has right-angled side edges to allow flush fitting joints between units, eliminating gaps and possible dirt traps.
- All exterior panels in Stainless Steel with Scotch Brite finishing.
- Unit is 930 mm deep to give a larger working surface area.
- AISI 304 stainless steel worktop, 1,5mm thick.
- AISI 304 well, 1mm-thick.

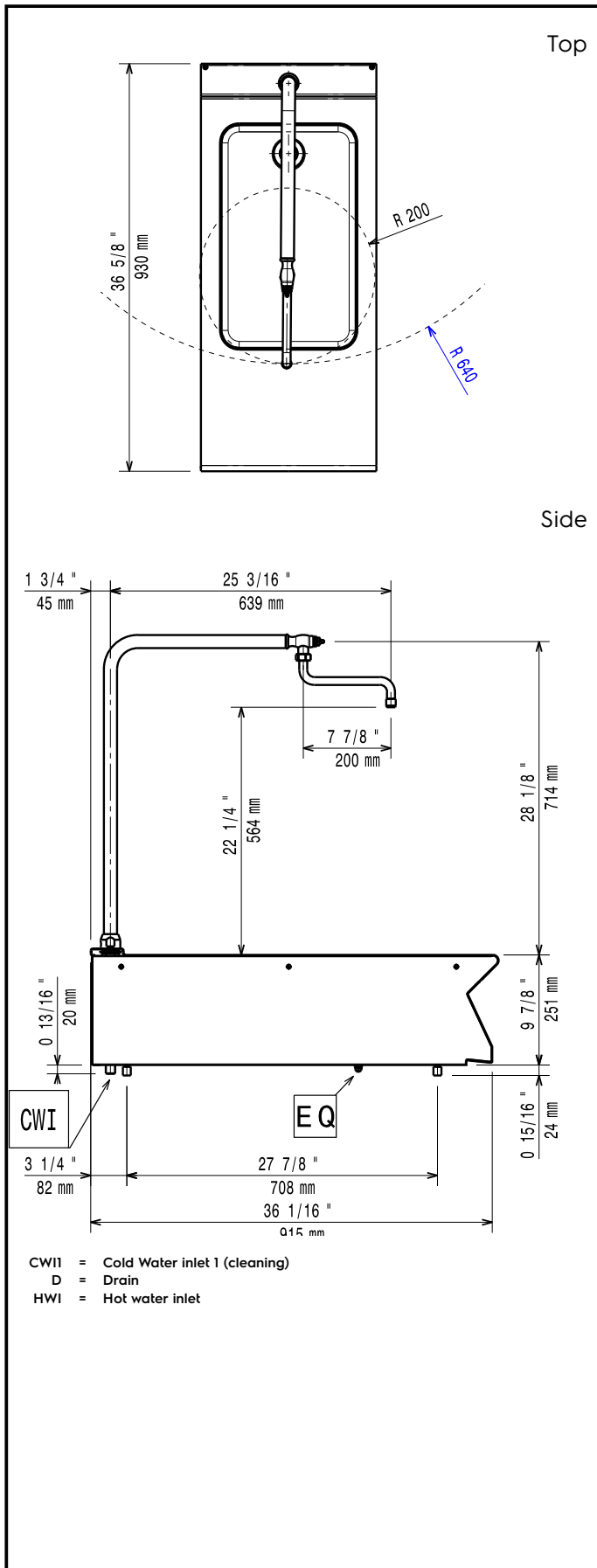
APPROVAL: \_\_\_\_\_



Experience the Excellence  
[www.electroluxprofessional.com](http://www.electroluxprofessional.com)

**Optional Accessories**

• Junction sealing kit	PNC 206086	<input type="checkbox"/>
• Support for bridge type installation, 800mm	PNC 206137	<input type="checkbox"/>
• Support for bridge type installation, 1000mm	PNC 206138	<input type="checkbox"/>
• Support for bridge type installation, 1200mm	PNC 206139	<input type="checkbox"/>
• Support for bridge type installation, 1400mm	PNC 206140	<input type="checkbox"/>
• Support for bridge type installation, 1600mm	PNC 206141	<input type="checkbox"/>
• Support for bridge type installation, 400mm	PNC 206154	<input type="checkbox"/>
• Half module overshef	PNC 206183	<input type="checkbox"/>
• Water column with swivel arm (water column extension not included)	PNC 206289	<input type="checkbox"/>
• Water column extension for 900 line	PNC 206290	<input type="checkbox"/>
• Back handrail 800 mm	PNC 206308	<input type="checkbox"/>
• Back handrail 1200 mm	PNC 206309	<input type="checkbox"/>
• Side handrail-right/left hand (900XP)	PNC 216044	<input type="checkbox"/>
• Frontal handrail, 400mm	PNC 216046	<input type="checkbox"/>
• Frontal handrail, 800mm	PNC 216047	<input type="checkbox"/>
• Frontal handrail, 1200mm	PNC 216049	<input type="checkbox"/>
• Frontal handrail, 1600mm	PNC 216050	<input type="checkbox"/>
• Large handrail - portioning shelf, 400mm	PNC 216185	<input type="checkbox"/>
• Large handrail - portioning shelf, 800mm	PNC 216186	<input type="checkbox"/>



### Water:

Water cold/hot pipe size  
 391312 (9SUNDQ00Q) 1/2"

### Key Information:

External dimensions, Width: 400 mm  
 External dimensions, Depth: 930 mm  
 External dimensions, Height: 250 mm  
 Net weight: ISO 9001; ISO 14001 kg